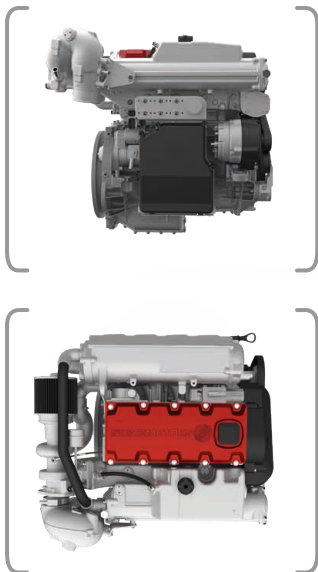
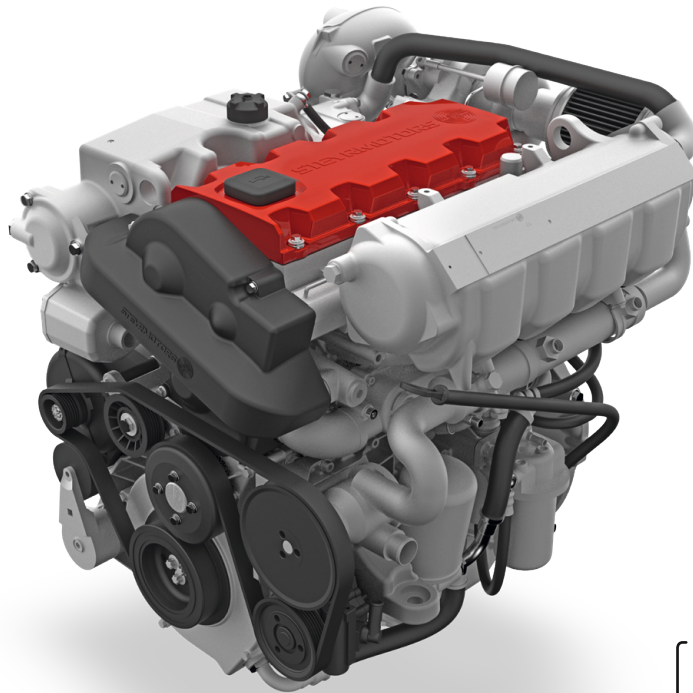


SE 4-CYLINDER MARINE ENGINES

FACTS

- Power range: 106 - 118 kW
- Displacement: 2.1 lt
- Dry weight: 263 kg



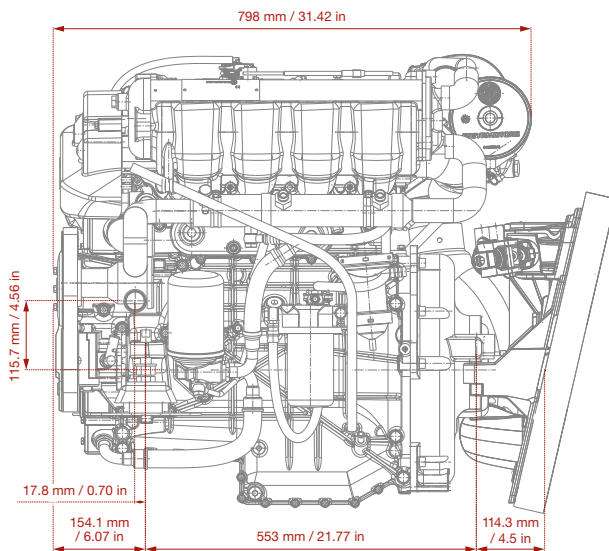
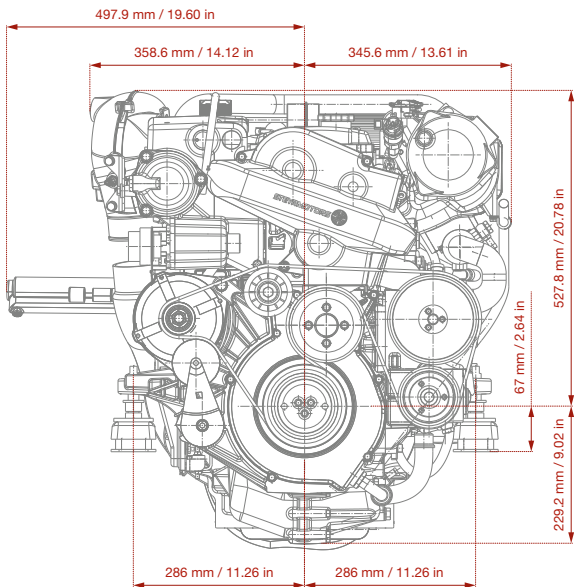
Based on the proven and trusted 4-cylinder Monoblock concept of Steyr Motors, the SE 4-cylinder engine series has been further developed and especially designed for more torque at lower speed. The series is intended for installation with sterndrives, but still remains combineable with other propulsion systems.

MAIN FEATURES

- Perfectly suited for commercial applications
- Dual circuit cooling system with corrosion resistant materials
- Excellent performance and highest durability
- Compact and lightweight design
- SOLAS approved, EPA Tier III certified and RCD Compliant
- Fulfills the U.S. Coast Guard's requirements
- Different propulsion systems can be installed
- Sterndrive packages with Bravo One, Two and Three available
- Standard 12 V / 120 A alternator, optional 24 V / 100 A available
- Preparation for keel cooling and many other unique options & kits available



See more applications on our website or contact us for further references.



	SE144E38	SE164E40
RATED POWER (KW/HP)	106/144	118/160
RATED SPEED (RPM)	3800	4000
MAX. TORQUE (NM @ RPM)	315 @ 2050	330 @ 2300
DRY WEIGHT (KG)	263	263
RATING*	PL, HO, INT	PL, HO
PROPULSION SYSTEMS	(T) TRANSMISSION (S) STERNDRIVE (J) WATER JET	(T) TRANSMISSION (S) STERNDRIVE (J) WATER JET

* Ratings:
 PL – Pleasure (max. 300 hours/year)
 HO – High Output (max. 300 hours/year)
 INT – Intermittent Duty (max. 1500 hours/year)
 MCD – Medium Continuous Duty (max. 3000 hours/year)
 find detailed specification to Ratings in
 STEYR MOTORS Limited Engine Warranty Conditions

OVERALL CHARACTERISTICS

- ➔ Direct injection Diesel engines
- ➔ 4-stroke, turbocharged
- ➔ 2.1 lt displacement
- ➔ 85 mm bore, 94 mm stroke
- ➔ Dual circuit cooling / Internal & Fresh water cooling
- ➔ CAN bus J1939

